

AURORALIGHT

REQUIRED TOOLS:

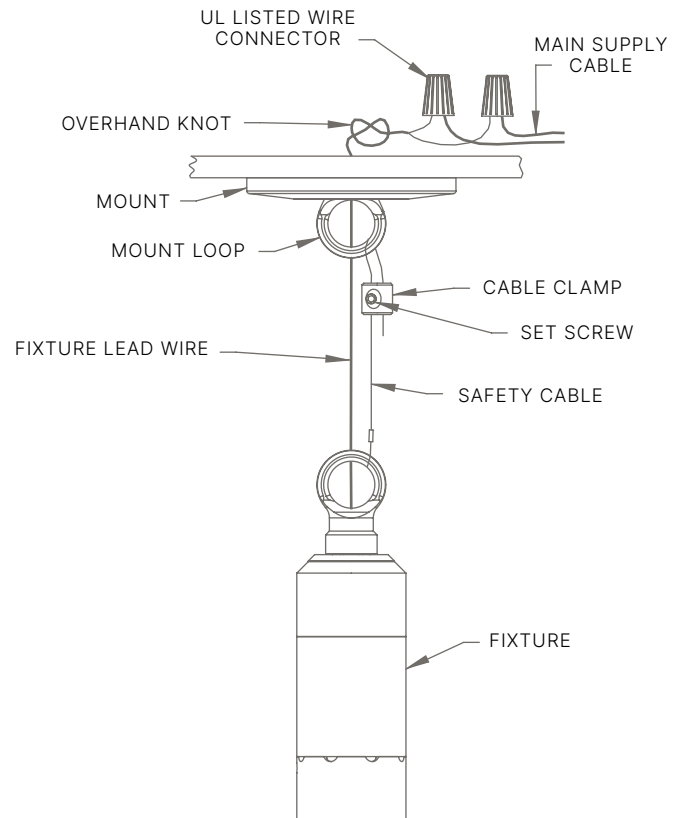
3/32 Allen Key (Included)
Wire Cutter / Stripper

TAOS INSTALL GUIDE

HPD110144 / HPD110244 / HPD110344 / HPD110451

INSTRUCTIONS:

1. To prevent electrical shock, disconnect transformer from electrical supply and make sure power supply is completely off before installation. Fixtures should always be installed by a licensed electrician.
2. Secure the **mount** in the desired location and thread in the **mount loop** (see figure).
3. Loop the **safety cable** through the **mount loop** and feed it back through the **cable clamp** with about a 1" tail protruding from the other side (see figure).
4. Tighten the **set screw** down thoroughly on the **safety cable** using the provided Allen key and ensure it will not easily slip through the **cable clamp**.
5. Feed the **fixture lead wire** through the **mount loop**. If accessible, tie the **fixture lead wire** into an **overhand knot** to reduce strain on the wire connections (see figure).
6. Strip the outer insulation off the end of the 2-conductor **fixture lead wire** to separate them, then strip about ¼" of insulation off each conductor.
7. Connect the **fixture lead wire** to the **main supply cable** using **UL listed wire connectors** suitable for the location.
8. Secure all electrical wiring in a neat manner in a desired area.



P. 760.931.2910

E. techsupport@auroralight.com

O. 2742 Loker Ave. W Carlsbad CA 92010

W. www.auroralight.com

WARNING: Luminaire must be installed in accordance with local codes and the National Electrical Code (NEC). Failure to do so may result in serious injury and or damage to the luminaire.

WARNING: Risk of electric shock. Install per NEC Code 680.22(B) (6), if listed low voltage luminaires are to be located near a pool, spa or fountain.

AURORALIGHT

REQUIRED TOOLS:

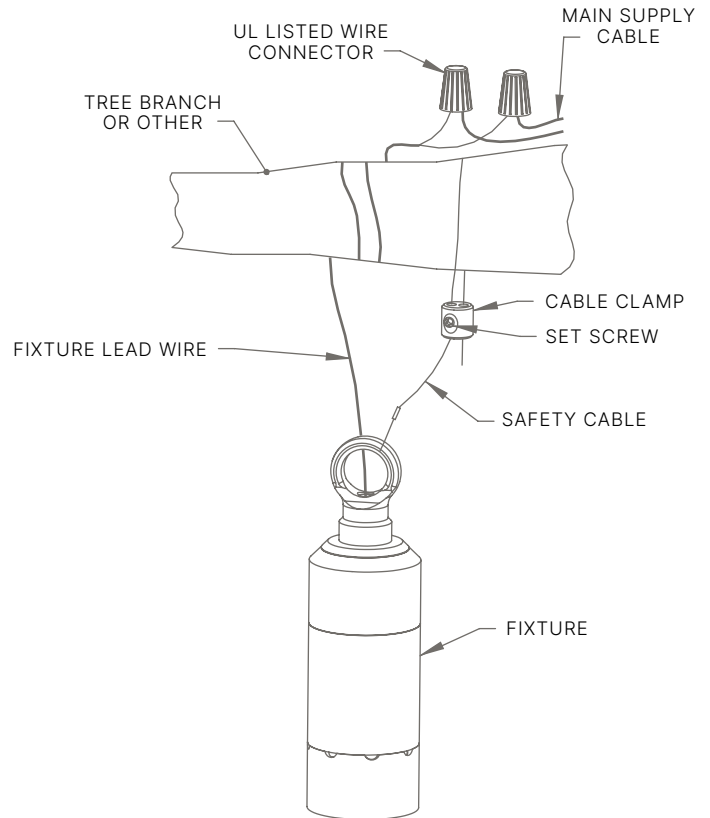
3/32 Allen Key (Included)
Wire Cutter / Stripper

TAOS INSTALL GUIDE (Tree mount)

HPD110144 / HPD110244 / HPD110344 / HPD110451

INSTRUCTIONS:

1. To prevent electrical shock, disconnect transformer from electrical supply and make sure power supply is completely off before installation. Fixtures should always be installed by a licensed electrician.
2. Secure the **fixture lead wire** around a **tree branch or other** desired location by wrapping it several times or fastening it in a manner that will not cause damage to the wire (see figure).
3. Loop the **safety cable** around a secure location and feed it back through the **cable clamp** with about a 1" tail protruding from the other side (see figure).
4. Tighten the **set screw** down thoroughly on the **safety cable** using the provided Allen key and ensure it will not easily slip through the **cable clamp**.
5. Strip the outer insulation off the end of the 2-conductor **fixture lead wire** to separate them, then strip about 1/4" of insulation off each conductor.
6. Connect the **fixture lead wire** to the **main supply cable** using **UL listed wire connectors** suitable for wet locations.
7. Secure all electrical wiring in a neat manner in a desired area.



P. 760.931.2910

E. techsupport@auroralight.com

O. 2742 Loker Ave. W Carlsbad CA 92010

W. www.auroralight.com

WARNING: Luminaire must be installed in accordance with local codes and the National Electrical Code (NEC). Failure to do so may result in serious injury and or damage to the luminaire.

WARNING: Risk of electric shock. Install per NEC Code 680.22(B (6), if listed low voltage luminaires are to be located near a pool, spa or fountain.