

AURORALIGHT

TELLURIDE INSTALL GUIDE

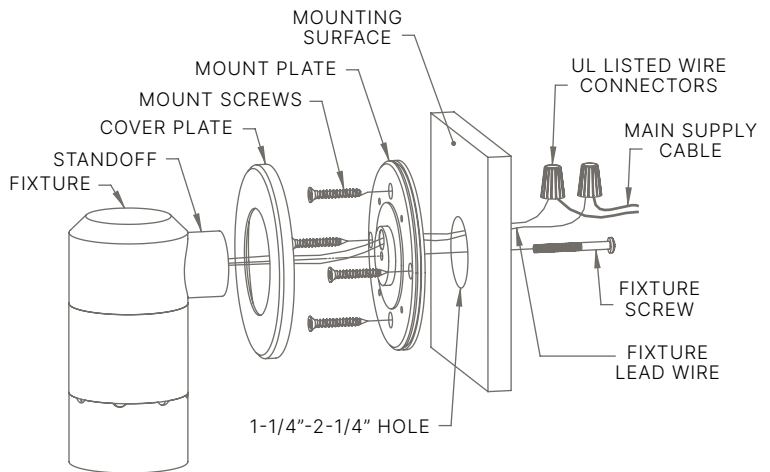
STW160164 / STW160264

REQUIRED TOOLS:

3/32" Allen Key (Included)
Wire Cutter / Stripper
1-1/4"-2-1/4" Hole Saw
Phillips Head Screwdriver

INSTRUCTIONS:

1. To prevent electrical shock, disconnect transformer from electrical supply and make sure power supply is completely off before installation. Fixtures should always be installed by a licensed electrician.
2. Unscrew the **fixture screw** and separate the **mount plate** from the **fixture**. Remove the **cover plate** from the **mount plate** by sliding it off (see figure).
3. Drill a 1-1/4" to 2-1/4" hole in the desired mounting location (see figure).
4. Center the **mount plate** on the hole and screw it down to the **mounting surface** using the provided **mount screws** and/or anchors if mounting in stone or tile (a 3/32" pilot hole is recommended when screwing into wood).
5. Press the **cover plate** back on to the **mount plate** until flush, then feed the **fixture lead wires** through the off-center hole in the **mount plate** (see figure).
6. Reattach the **fixture** to the **mount plate** using the **fixture screw**, firmly tighten down (see figure).
7. Connect the **main supply cable** to the **fixture lead wire** using **UL listed wire connectors** suitable for the location (see figure).
8. Neatly secure the connectors and any loose wiring in a desired location.



TIP: Small gauge cable is vulnerable to damage in the landscape; Protect by routing in close proximity to the luminaire or adjacent to concrete slab or similar structure. Do not over tighten.

P. 760.931.2910

E. techsupport@auroralight.com

O. 2742 Loker Ave. W Carlsbad CA 92010

W. www.auroralight.com

WARNING: Luminaire must be installed in accordance with local codes and the National Electrical Code (NEC). Failure to do so may result in serious injury and or damage to the luminaire.

WARNING: Risk of electric shock. Install per NEC Code 680.22(B (6), if listed low voltage luminaires are to be located near a pool, spa or fountain.